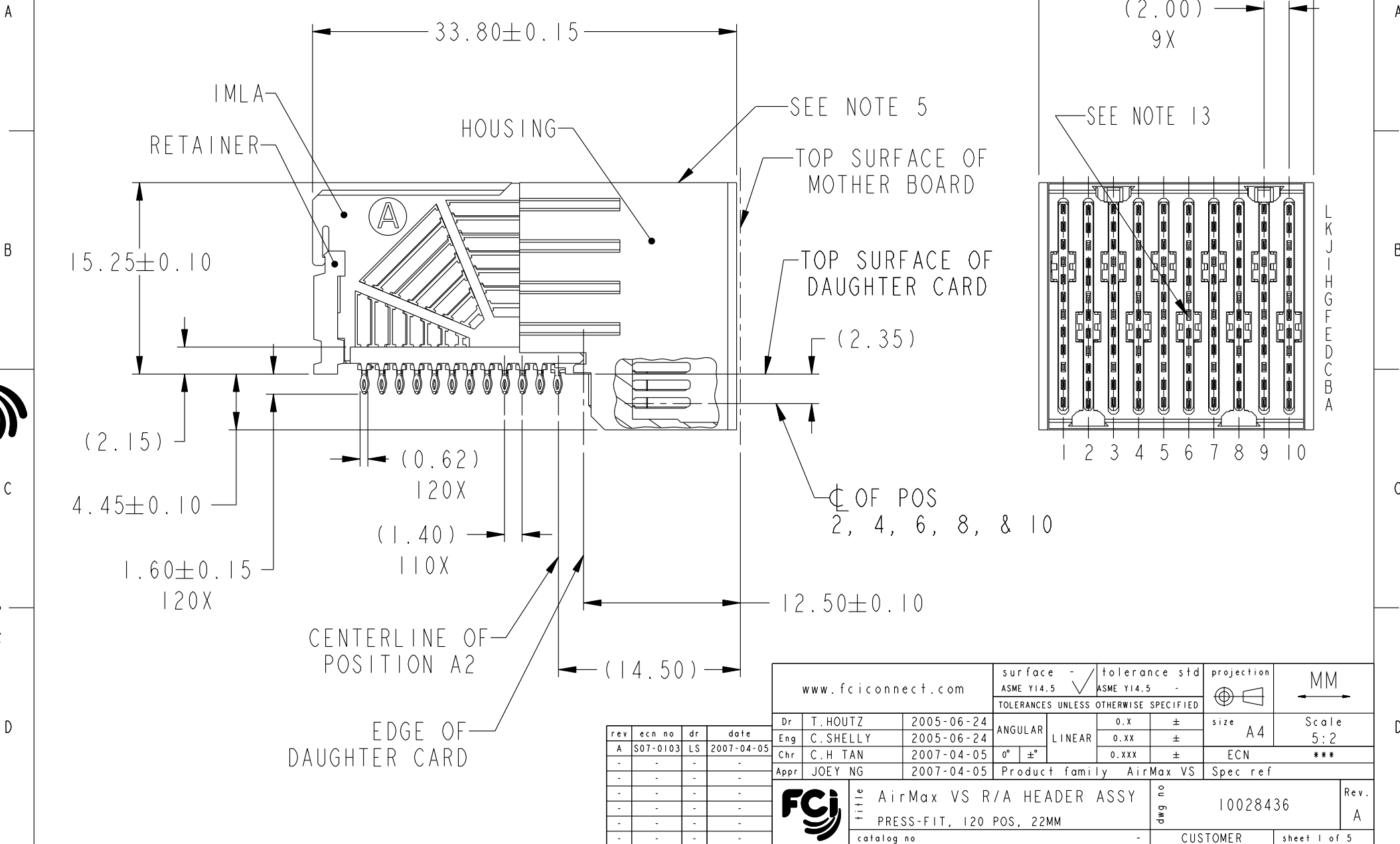


PRODUCT NUMBER
SEE TABLE, SHEET 5



Copyright FCI.

rev	ecn no	dr	date
A	S07-0103	LS	2007-04-05
-	-	-	-
-	-	-	-
-	-	-	-
-	-	-	-
-	-	-	-

www.fciconnect.com		surface - ASME Y14.5	tolerance std - ASME Y14.5	projection	MM
		TOLERANCES UNLESS OTHERWISE SPECIFIED			
Dr	T. HOUTZ	2005-06-24	ANGULAR	size	A4
Eng	C. SHELLY	2005-06-24	LINEAR	Scale	5:2
Chr	C. H TAN	2007-04-05	0° ±°	ECN	***
Appr	JOEY NG	2007-04-05	Product family	AirMax VS	Spec ref
		AirMax VS R/A HEADER ASSY		dwg no	10028436
		PRESS-FIT, 120 POS, 22MM		Rev.	A
		catalog no	-	CUSTOMER	sheet 1 of 5

REV F - 2006-04-17

1

2

3

4

DESCRIPTION	DIM A	DIM B	DIM C
2-22MM MODULES PLACED END-TO-END	4.00	21.90 2X	22.00
1-20MM MODULE & 1-22MM MODULE PLACED END-TO-END	3.00	19.90 1X & 21.90 1X	21.00

A

A

B

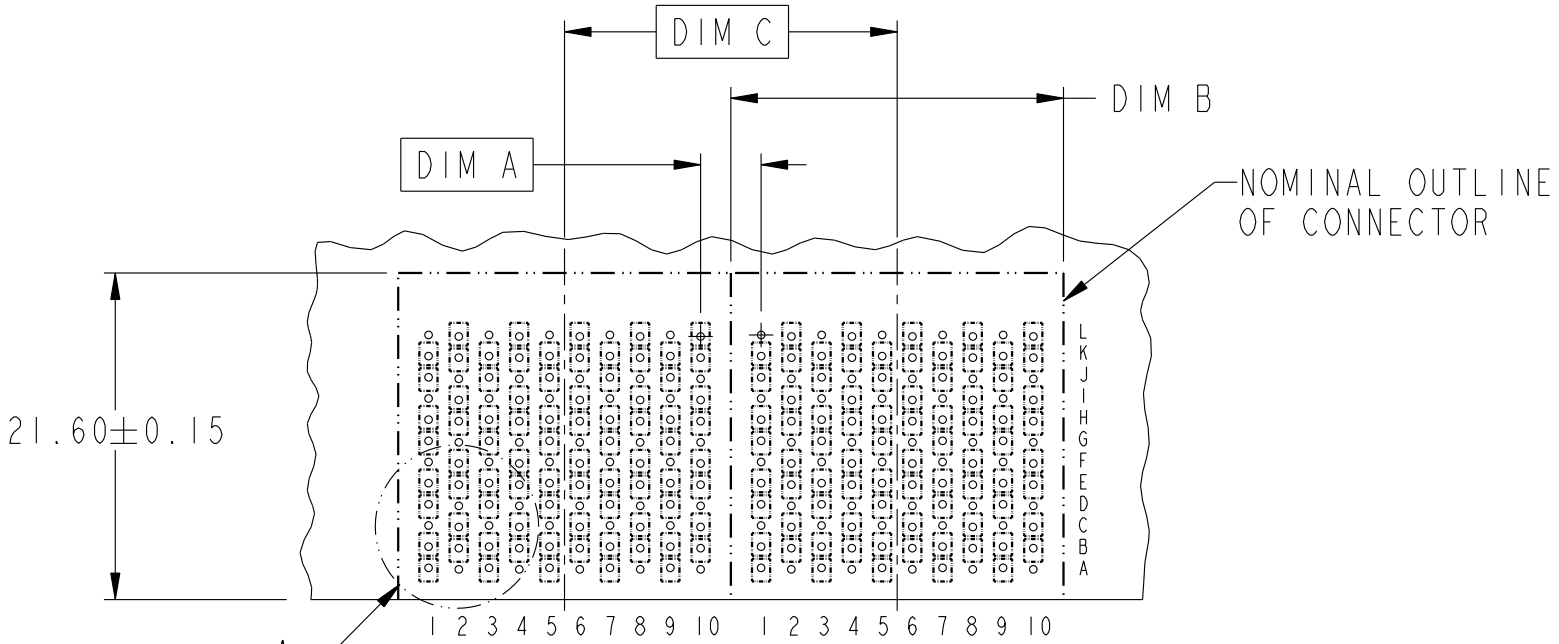
B

C

C

D

D



RECOMMENDED PCB LAYOUT
FOR DIFFERENTIAL APPLICATIONS
COMPONENT SIDE
(TWO ADJACENT FOOTPRINTS SHOWN)
NOTES 6 & 7



Copyright FCI.

2

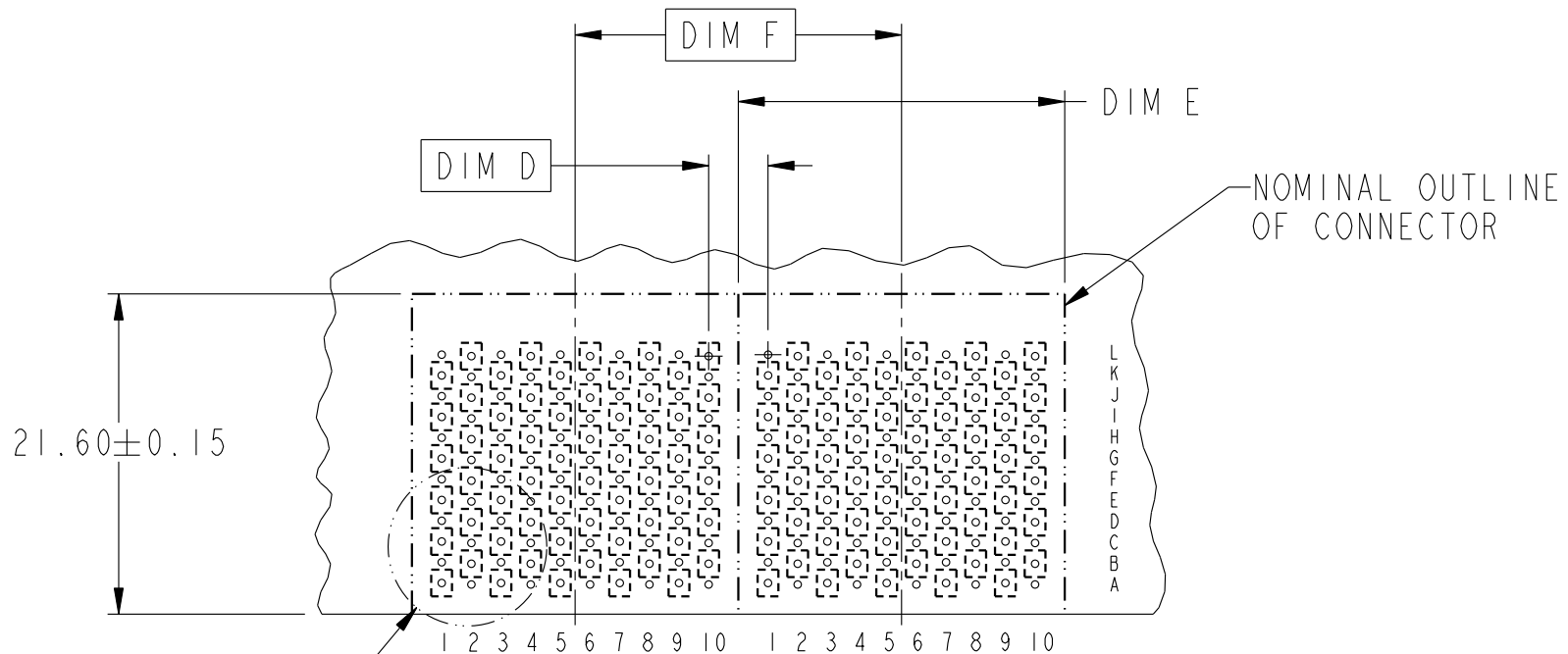


title AirMax VS R/A HEADER ASSY
PRESS-FIT, 120 POS, 22MM
catalog no -

dwg no 10028436
CUSTOMER sheet 2 of 5

Rev. A

DESCRIPTION	DIM D	DIM E	DIM F
2-22MM MODULES PLACED END-TO-END	4.00	21.90 2X	22.00
1-20MM MODULE & 1-22MM MODULE PLACED END-TO-END	3.00	19.90 1X & 21.90 1X	21.00



DETAIL B

RECOMMENDED PCB LAYOUT
FOR SINGLE ENDED APPLICATIONS
COMPONENT SIDE
(TWO ADJACENT FOOTPRINTS SHOWN)
NOTES 6 & 7



title AirMax VS R/A HEADER ASSY
PRESS-FIT, 120 POS, 22MM
catalog no -

dwg no 10028436

Rev. A

CUSTOMER sheet 3 of 5

1

2

3

4

A

B

C

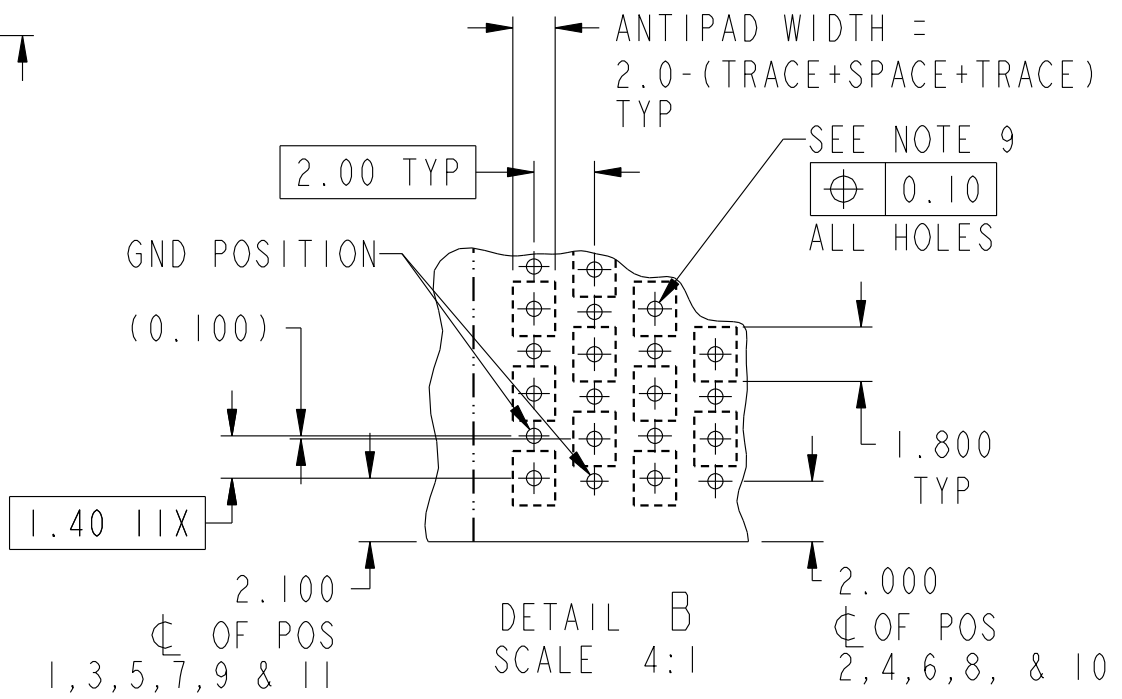
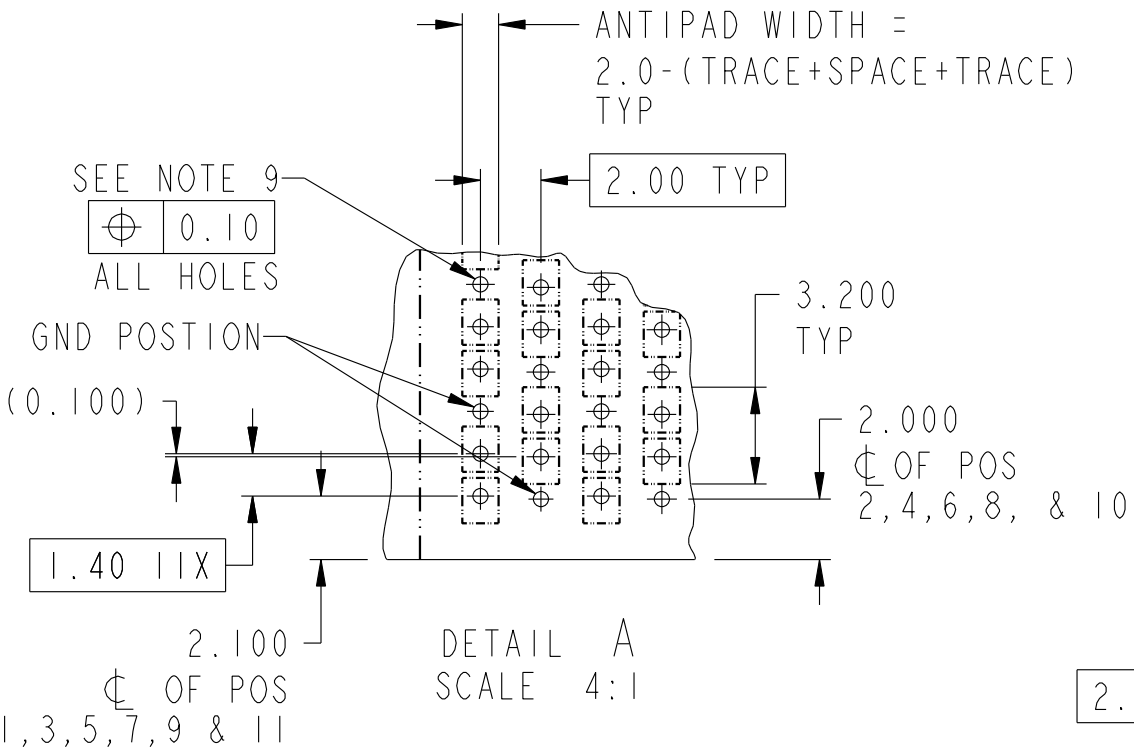
D

A

B

C

D



Copyright FCI.



PART NUMBER	PRESS-FIT TAIL PLATING TYPE	SHORT DETECT CONTACT
10028436-101	TIN/LEAD ALLOY OVER NICKEL	NO
10028436-101LF	TIN OVER NICKEL (LEAD FREE)	
10028436-111	TIN/LEAD ALLOY OVER NICKEL	YES (SEE NOTE 13)
10028436-111LF	TIN OVER NICKEL (LEAD FREE)	

NOTES:

1. CONNECTOR MATERIALS:
 HOUSING & RETAINER: HIGH TEMP THERMOPLASTIC, NATURAL, UL94V-0
 IMLA PLASTIC: HIGH TEMP THERMOPLASTIC, BLACK, UL94V-0
 CONTACT: COPPER ALLOY

2. CONTACT PLATING:
 SEPARABLE INTERFACE:
 PERFORMANCE-BASED PLATING, QUALIFIED TO MEET THE REQUIREMENTS OF FCI PRODUCT SPECIFICATION GS-12-239, INCLUDING TELCORDIA GR-1217-CORE (NOVEMBER 1995) CENTRAL OFFICE.
 PRESS-FIT TAILS: SEE TABLE

3. PRODUCT SPECIFICATION: GS-12-239

4. APPLICATION SPECIFICATION: GS-20-035

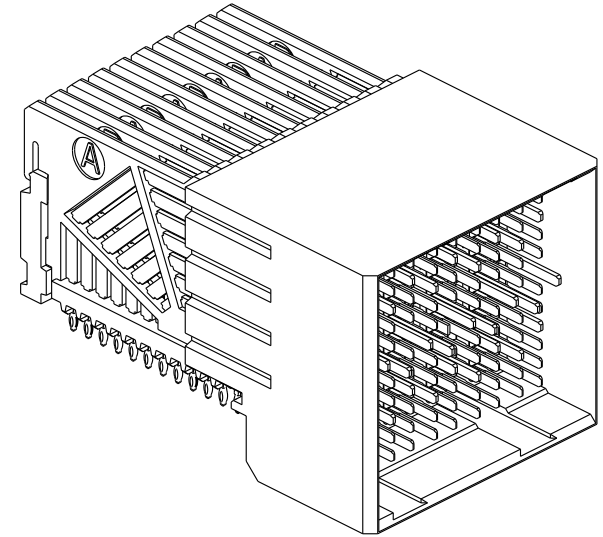
5. PRODUCT MARKING, (PART NUMBER & LOT CODE), ON THIS SURFACE

6. REFER TO CUSTOMER DRAWING 10035911 FOR INFORMATION REGARDING PCB LAYOUT OF POWER AND GUIDE MODULES RELATIVE TO SIGNAL MODULES

7. POSITIONS F OF ODD NUMBERED COLUMNS AND POSITIONS G OF EVEN NUMBERED COLUMNS CORRESPOND TO EARLY MATE HEADER PINS

8. THERE IS NO GROUND BUSSING WITHIN THE CONNECTOR SYSTEM

9. REFER TO CUSTOMER DRAWING 10045979 FOR INFORMATION ON PCB HOLE DIAMETERS AND PLATING OPTIONS.



10. THIS PRODUCT MEETS EUROPEAN UNION DIRECTIVES AND OTHER COUNTRY REGULATIONS AS DESCRIBED IN GS-22-008.

11. THE HOUSING WILL WITHSTAND EXPOSURE TO 260°C PEAK TEMPERATURE FOR 40 SECONDS IN A CONVECTION, INFRA-RED OR VAPOR PHASE REFLOW OVEN.

12. PACKAGING MEETS GS-14-920 LEAD FREE LABELING SPECIFICATION.

13. MATING PIN F6 IS SHORTER THAN ALL REMAINING SIGNAL PINS. NOMINAL MATING WIPE FOR PIN F6 IS 0.5MM LESS THAN ALL REMAINING SIGNAL PINS.

FCI	title	AirMax VS R/A HEADER ASSY	dwg no	10028436	Rev.	A
	catalog no	PRESS-FIT, 120 POS, 22MM	-	CUSTOMER	sheet 5 of 5	